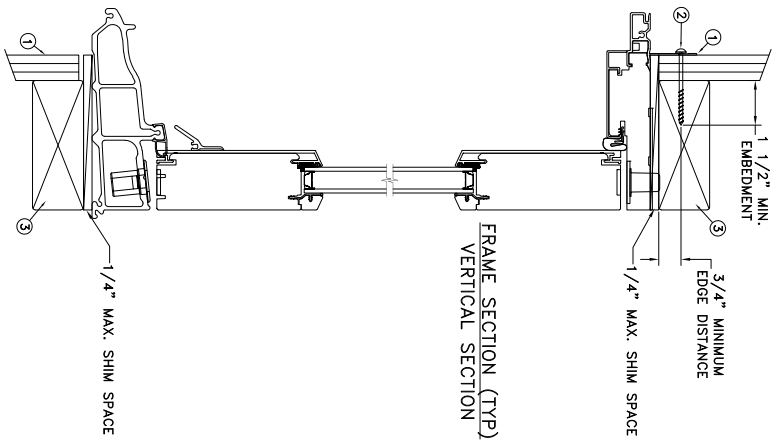
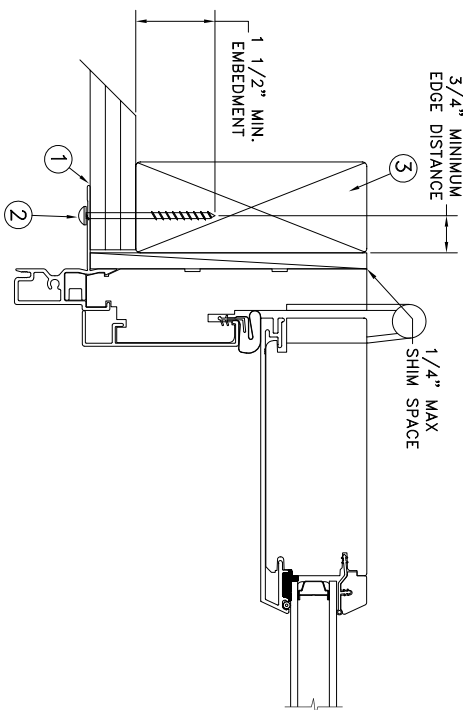


TYPICAL ELEVATION WITH FASTENER SPACING



FRAME SECTION (TYP)
VERTICAL SECTION



FRAME JAMB SECTION (TYP)
HORIZONTAL SECTION

NAILFIN INSTALLATION

- Installation Notes:**
1. Seal flange/frame to substrate. Sill shall be set on a continuous serpentine bead of structural grade silicone caulk when no fastener is used to anchor the sill (typical).
 2. Use #8 PH or greater fastener through the nailing flange with sufficient length to penetrate a minimum of 1 1/2" into the wood framing. For 2x wood frame substrate (min. S.G. = 0.42)
 3. Host structure (wood buck, masonry, steel) to be designed and anchored to properly transfer all loads to the structure. The host structure is the responsibility of the architect or engineer of record for the project of installation.

- General Notes:**
1. The product shown herein is designed, tested and manufactured to comply with the wind load criteria of the adopted International Building Code (IBC), the International Residential Code (IRC), the current Florida Building Code (FBC) and the industry requirement for the stated conditions.
 2. All glazing shall conform to ASTM E1300.
 3. Use structural or composite shims where required.

MAXIMUM FRAME	DP	IMPACT
37 5/8 x 119 1/2	+35/-40	NO

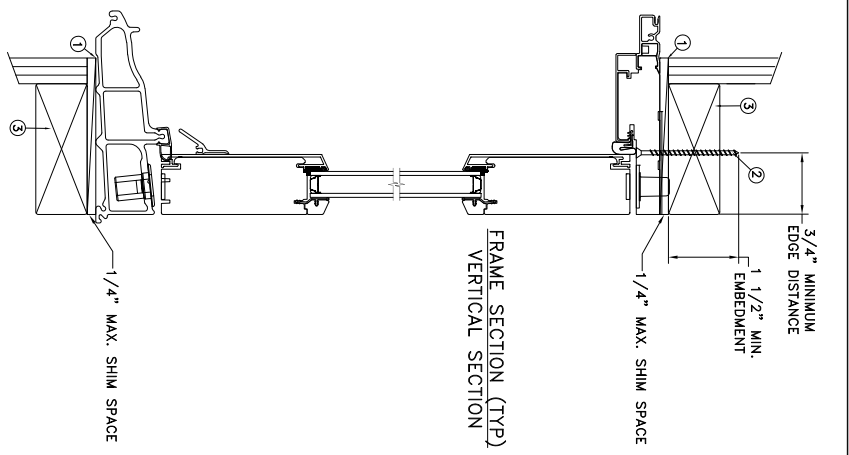
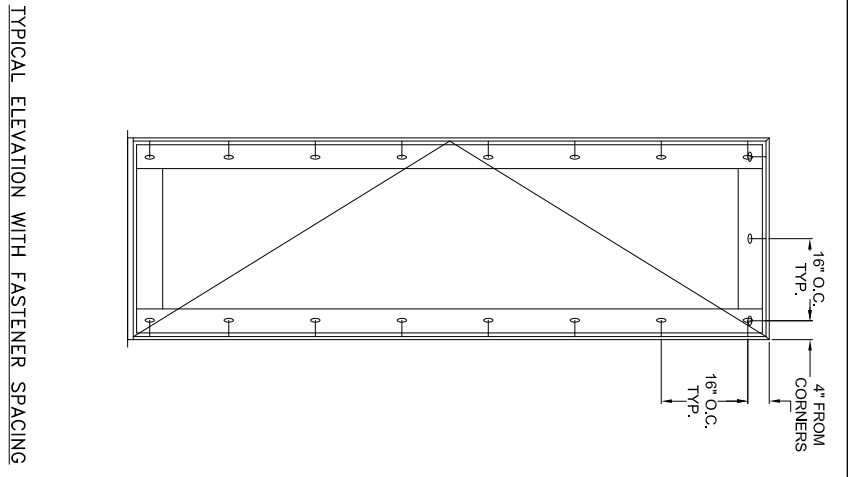
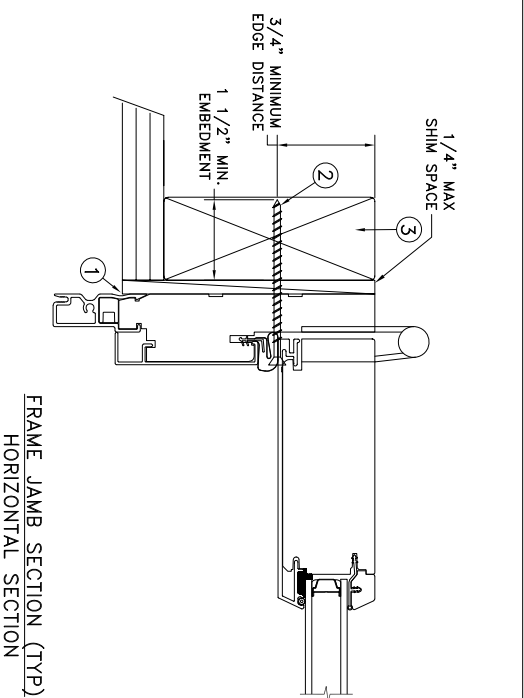
This schedule addresses only the fasteners required to anchor the unit to achieve the rated design pressure and impact performance (where applicable) up to the size limitations noted. It is not intended as a guide to the installation process and does not address the sealing consideration that may arise in different wall conditions. For the complete installation procedure, see the instructions packaged with the unit or go to www.jeld-wen.com.

DISCLAIMER:
This drawing and its contents are confidential and are not to be reproduced or copied in whole or in part or used or disclosed to others except as authorized by JELD-WEN Inc.

"AS TESTED"

DATE: 03/30/2023	DRAWN BY: J.HAWKINS	CHECKED BY: J.ZAHURONES	APPROVED BY: D.STOKES	RECORD NO.:	REPORT NO.:	CAD DWG. No.:	REV.:	SHEET
SCALE: NTS	TITLE: Steline Clad Inswing Single Panel Patio Door	3737 LAKEPORT BLVD. KLAMATH FALLS OR, 97601 PHONE: (800) 535-3936		D011164	310-21-083 E0A0	ShellacLSW/PD Car	B	1 of 3

THROUGH FRAME
INSTALLATION



MAXIMUM FRAME	DP	IMPACT
37 5/8 x 119 1/2	+35/-40	NO

Installation Notes:

1. Seal flange/frame to substrate. Sill shall be set on a continuous serpentine bead of structural grade silicone caulk when no fastener is used to anchor the sill (typical).
2. Use #8 PH or greater fastener through the head & side jambs with sufficient length to penetrate a minimum of 1 1/2" into the wood framing. For 2x wood frame substrate (min. S.G. = 0.42)
3. Host structure (wood buck, masonry, steel) to be designed and anchored to properly transfer all loads to the structure. The host structure is the responsibility of the architect or engineer of record for the project of installation.

General Notes:

1. The product shown herein is designed, tested and manufactured to comply with the wind load criteria of the adopted International Building Code (IBC), the International Residential Code (IRC), the current Florida Building Code (FBC) and the industry requirement for the stated conditions.
2. All glazing shall conform to ASTM E1300.
3. Use structural or composite shims where required.

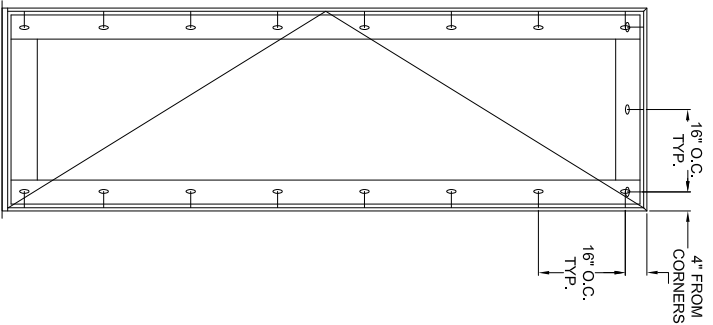
This schedule addresses only the fasteners required to anchor the unit to achieve the rated design pressure and impact performance (where applicable) up to the size limitations noted. It is not intended as a guide to the installation process and does not address the sealing consideration that may arise in different wall conditions. For the complete installation procedure, see the instructions packaged with the unit or go to www.jeld-wen.com.

DISCLAIMER:
This drawing and its contents are confidential and are not to be reproduced or copied in whole or in part or used or disclosed to others except as authorized by JELD-WEN Inc.

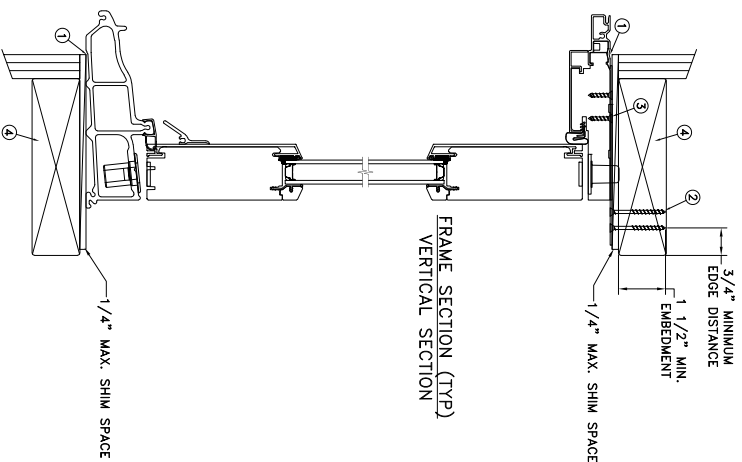
DATE: 03/30/2023	DRAWN BY: J.HAWKINS	CHECKED BY: J.ZAHURONES	APPROVED BY: D.STOKES	RECORD NO.:	REPORT NO.:	CAD DWG. No.:	REV.:	SHEET:	
SCALE: NTS	TITLE: Stiteline Clad Inswing Single Panel Patio Door	JELD-WEN 3737 LAKEPORT BLVD. KLAMATH FALLS OR, 97601 PHONE: (800) 535-3936			D011164	310-21-083 E0A0	ShellacLSW/PD Car	B	2 of 3

"AS TESTED"

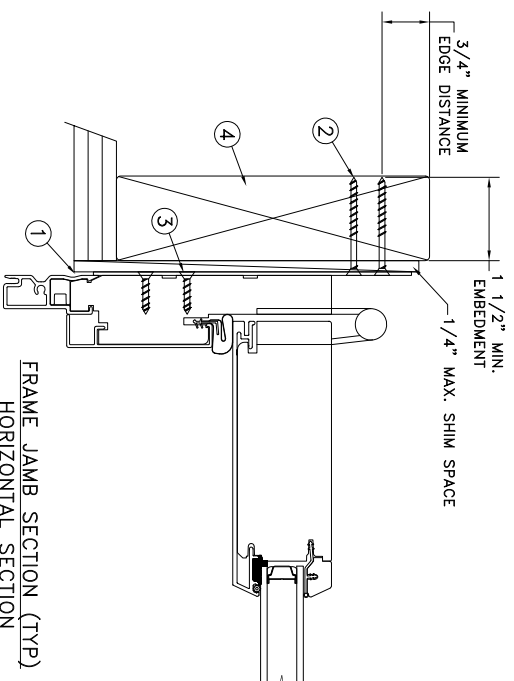
MASONRY STRAP
INSTALLATION



TYPICAL ELEVATION WITH FASTENER SPACING



FRAME SECTION (TYP)
VERTICAL SECTION



FRAME JAMB SECTION (TYP)
HORIZONTAL SECTION

MAXIMUM FRAME	DP	IMPACT
37 5/8 x 119 1/2	+35/-40	NO

Installation Notes:

1. Seal flange/frame to substrate. Sill shall be set on a continuous serpentine bead of structural grade silicone caulk when no fastener is used to anchor the sill (typical).
2. Use 2 - #8 PFH or larger fasteners through masonry strap with sufficient length to penetrate a minimum of 1 1/2" into the buck. For 2x wood frame substrate (min. S.G. = 0.42).
3. Use 2 - #8 PFH or larger fasteners through masonry strap into jamb without penetrating through the jamb into product causing visibility or collateral damage to product.
4. Host structure (wood buck, masonry, steel) to be designed and anchored to properly transfer all loads to the structure. The host structure is the responsibility of the architect or engineer of record for the project of installation.

General Notes:

1. The product shown herein is designed, tested and manufactured to comply with the wind load criteria of the adopted International Building Code (IBC), the International Residential Code (IRC), the current Florida Building Code (FBC) and the industry requirement for the stated conditions.
2. All glazing shall conform to ASTM E1300.
3. Use structural or composite shims where required.
4. Masonry strap specifications: 20 Ga. galvanized steel, .036" min. thickness x 1.5" min. width.

This schedule addresses only the fasteners required to anchor the unit to achieve the rated design pressure and impact performance (where applicable) up to the size limitations noted. It is not intended as a guide to the installation process and does not address the sealing consideration that may arise in different wall conditions. For the complete installation procedure, see the instructions packaged with the unit or go to www.jeld-wen.com.

DISCLAIMER:

This drawing and its contents are confidential and are not to be reproduced or copied in whole or in part or used or disclosed to others except as authorized by JELD-WEN Inc.

"AS TESTED"

DATE: 03/30/2023	DRAWN BY: J.HAWKINS	CHECKED BY: J.ZAHURONES	APPROVED BY: D.STOKES	RECORD NO.:	REPORT NO.:
SCALE: NTS	TITLE: Stiteline Clad Inswing Single Panel Patio Door	RECORD NO.:	D011164	310-21-083 E0A0	
DATE: 03/30/2023		DRAWN BY: J.HAWKINS		CHECKED BY: J.ZAHURONES	
SCALE: NTS		APPROVED BY: D.STOKES		RECORD NO.:	
TITLE: Stiteline Clad Inswing Single Panel Patio Door		RECORD NO.:		REPORT NO.:	
DATE: 03/30/2023		DRAWN BY: J.HAWKINS		CHECKED BY: J.ZAHURONES	
SCALE: NTS		APPROVED BY: D.STOKES		RECORD NO.:	
TITLE: Stiteline Clad Inswing Single Panel Patio Door		RECORD NO.:		REPORT NO.:	
DATE: 03/30/2023		DRAWN BY: J.HAWKINS		CHECKED BY: J.ZAHURONES	
SCALE: NTS		APPROVED BY: D.STOKES		RECORD NO.:	
TITLE: Stiteline Clad Inswing Single Panel Patio Door		RECORD NO.:		REPORT NO.:	
DATE: 03/30/2023		DRAWN BY: J.HAWKINS		CHECKED BY: J.ZAHURONES	
SCALE: NTS		APPROVED BY: D.STOKES		RECORD NO.:	
TITLE: Stiteline Clad Inswing Single Panel Patio Door		RECORD NO.:		REPORT NO.:	
DATE: 03/30/2023		DRAWN BY: J.HAWKINS		CHECKED BY: J.ZAHURONES	
SCALE: NTS		APPROVED BY: D.STOKES		RECORD NO.:	
TITLE: Stiteline Clad Inswing Single Panel Patio Door		RECORD NO.:		REPORT NO.:	
DATE: 03/30/2023		DRAWN BY: J.HAWKINS		CHECKED BY: J.ZAHURONES	
SCALE: NTS		APPROVED BY: D.STOKES		RECORD NO.:	
TITLE: Stiteline Clad Inswing Single Panel Patio Door		RECORD NO.:		REPORT NO.:	
DATE: 03/30/2023		DRAWN BY: J.HAWKINS		CHECKED BY: J.ZAHURONES	
SCALE: NTS		APPROVED BY: D.STOKES		RECORD NO.:	
TITLE: Stiteline Clad Inswing Single Panel Patio Door		RECORD NO.:		REPORT NO.:	
DATE: 03/30/2023		DRAWN BY: J.HAWKINS		CHECKED BY: J.ZAHURONES	
SCALE: NTS		APPROVED BY: D.STOKES		RECORD NO.:	
TITLE: Stiteline Clad Inswing Single Panel Patio Door		RECORD NO.:		REPORT NO.:	
DATE: 03/30/2023		DRAWN BY: J.HAWKINS		CHECKED BY: J.ZAHURONES	
SCALE: NTS		APPROVED BY: D.STOKES		RECORD NO.:	
TITLE: Stiteline Clad Inswing Single Panel Patio Door		RECORD NO.:		REPORT NO.:	
DATE: 03/30/2023		DRAWN BY: J.HAWKINS		CHECKED BY: J.ZAHURONES	
SCALE: NTS		APPROVED BY: D.STOKES		RECORD NO.:	
TITLE: Stiteline Clad Inswing Single Panel Patio Door		RECORD NO.:		REPORT NO.:	
DATE: 03/30/2023		DRAWN BY: J.HAWKINS		CHECKED BY: J.ZAHURONES	
SCALE: NTS		APPROVED BY: D.STOKES		RECORD NO.:	
TITLE: Stiteline Clad Inswing Single Panel Patio Door		RECORD NO.:		REPORT NO.:	
DATE: 03/30/2023		DRAWN BY: J.HAWKINS		CHECKED BY: J.ZAHURONES	
SCALE: NTS		APPROVED BY: D.STOKES		RECORD NO.:	
TITLE: Stiteline Clad Inswing Single Panel Patio Door		RECORD NO.:		REPORT NO.:	
DATE: 03/30/2023		DRAWN BY: J.HAWKINS		CHECKED BY: J.ZAHURONES	
SCALE: NTS		APPROVED BY: D.STOKES		RECORD NO.:	
TITLE: Stiteline Clad Inswing Single Panel Patio Door		RECORD NO.:		REPORT NO.:	
DATE: 03/30/2023		DRAWN BY: J.HAWKINS		CHECKED BY: J.ZAHURONES	
SCALE: NTS		APPROVED BY: D.STOKES		RECORD NO.:	
TITLE: Stiteline Clad Inswing Single Panel Patio Door		RECORD NO.:		REPORT NO.:	
DATE: 03/30/2023		DRAWN BY: J.HAWKINS		CHECKED BY: J.ZAHURONES	
SCALE: NTS		APPROVED BY: D.STOKES		RECORD NO.:	
TITLE: Stiteline Clad Inswing Single Panel Patio Door		RECORD NO.:		REPORT NO.:	
DATE: 03/30/2023		DRAWN BY: J.HAWKINS		CHECKED BY: J.ZAHURONES	
SCALE: NTS		APPROVED BY: D.STOKES		RECORD NO.:	
TITLE: Stiteline Clad Inswing Single Panel Patio Door		RECORD NO.:		REPORT NO.:	
DATE: 03/30/2023		DRAWN BY: J.HAWKINS		CHECKED BY: J.ZAHURONES	
SCALE: NTS		APPROVED BY: D.STOKES		RECORD NO.:	
TITLE: Stiteline Clad Inswing Single Panel Patio Door		RECORD NO.:		REPORT NO.:	
DATE: 03/30/2023		DRAWN BY: J.HAWKINS		CHECKED BY: J.ZAHURONES	
SCALE: NTS		APPROVED BY: D.STOKES		RECORD NO.:	
TITLE: Stiteline Clad Inswing Single Panel Patio Door		RECORD NO.:		REPORT NO.:	
DATE: 03/30/2023		DRAWN BY: J.HAWKINS		CHECKED BY: J.ZAHURONES	
SCALE: NTS		APPROVED BY: D.STOKES		RECORD NO.:	
TITLE: Stiteline Clad Inswing Single Panel Patio Door		RECORD NO.:		REPORT NO.:	
DATE: 03/30/2023		DRAWN BY: J.HAWKINS		CHECKED BY: J.ZAHURONES	
SCALE: NTS		APPROVED BY: D.STOKES		RECORD NO.:	
TITLE: Stiteline Clad Inswing Single Panel Patio Door		RECORD NO.:		REPORT NO.:	
DATE: 03/30/2023		DRAWN BY: J.HAWKINS		CHECKED BY: J.ZAHURONES	
SCALE: NTS		APPROVED BY: D.STOKES		RECORD NO.:	
TITLE: Stiteline Clad Inswing Single Panel Patio Door		RECORD NO.:		REPORT NO.:	
DATE: 03/30/2023		DRAWN BY: J.HAWKINS		CHECKED BY: J.ZAHURONES	
SCALE: NTS		APPROVED BY: D.STOKES		RECORD NO.:	
TITLE: Stiteline Clad Inswing Single Panel Patio Door		RECORD NO.:		REPORT NO.:	
DATE: 03/30/2023		DRAWN BY: J.HAWKINS		CHECKED BY: J.ZAHURONES	
SCALE: NTS		APPROVED BY: D.STOKES		RECORD NO.:	
TITLE: Stiteline Clad Inswing Single Panel Patio Door		RECORD NO.:		REPORT NO.:	
DATE: 03/30/2023		DRAWN BY: J.HAWKINS		CHECKED BY: J.ZAHURONES	
SCALE: NTS		APPROVED BY: D.STOKES		RECORD NO.:	
TITLE: Stiteline Clad Inswing Single Panel Patio Door		RECORD NO.:		REPORT NO.:	
DATE: 03/30/2023		DRAWN BY: J.HAWKINS		CHECKED BY: J.ZAHURONES	
SCALE: NTS		APPROVED BY: D.STOKES		RECORD NO.:	
TITLE: Stiteline Clad Inswing Single Panel Patio Door		RECORD NO.:		REPORT NO.:	
DATE: 03/30/2023		DRAWN BY: J.HAWKINS		CHECKED BY: J.ZAHURONES	
SCALE: NTS		APPROVED BY: D.STOKES		RECORD NO.:	
TITLE: Stiteline Clad Inswing Single Panel Patio Door		RECORD NO.:		REPORT NO.:	
DATE: 03/30/2023		DRAWN BY: J.HAWKINS		CHECKED BY: J.ZAHURONES	
SCALE: NTS		APPROVED BY: D.STOKES		RECORD NO.:	
TITLE: Stiteline Clad Inswing Single Panel Patio Door		RECORD NO.:		REPORT NO.:	
DATE: 03/30/2023		DRAWN BY: J.HAWKINS		CHECKED BY: J.ZAHURONES	
SCALE: NTS		APPROVED BY: D.STOKES		RECORD NO.:	
TITLE: Stiteline Clad Inswing Single Panel Patio Door		RECORD NO.:		REPORT NO.:	
DATE: 03/30/2023		DRAWN BY: J.HAWKINS		CHECKED BY: J.ZAHURONES	
SCALE: NTS		APPROVED BY: D.STOKES		RECORD NO.:	
TITLE: Stiteline Clad Inswing Single Panel Patio Door		RECORD NO.:		REPORT NO.:	
DATE: 03/30/2023		DRAWN BY: J.HAWKINS		CHECKED BY: J.ZAHURONES	
SCALE: NTS		APPROVED BY: D.STOKES		RECORD NO.:	
TITLE: Stiteline Clad Inswing Single Panel Patio Door		RECORD NO.:		REPORT NO.:	
DATE: 03/30/2023		DRAWN BY: J.HAWKINS		CHECKED BY: J.ZAHURONES	
SCALE: NTS		APPROVED BY: D.STOKES		RECORD NO.:	
TITLE: Stiteline Clad Inswing Single Panel Patio Door		RECORD NO.:		REPORT NO.:	
DATE: 03/30/2023		DRAWN BY: J.HAWKINS		CHECKED BY: J.ZAHURONES	
SCALE: NTS		APPROVED BY: D.STOKES		RECORD NO.:	
TITLE: Stiteline Clad Inswing Single Panel Patio Door		RECORD NO.:		REPORT NO.:	
DATE: 03/30/2023		DRAWN BY: J.HAWKINS		CHECKED BY: J.ZAHURONES	
SCALE: NTS		APPROVED BY: D.STOKES		RECORD NO.:	
TITLE: Stiteline Clad Inswing Single Panel Patio Door		RECORD NO.:		REPORT NO.:	
DATE: 03/30/2023		DRAWN BY: J.HAWKINS		CHECKED BY: J.ZAHURONES	
SCALE: NTS		APPROVED BY: D.STOKES		RECORD NO.:	
TITLE: Stiteline Clad Inswing Single Panel Patio Door		RECORD NO.:		REPORT NO.:	
DATE: 03/30/2023		DRAWN BY: J.HAWKINS		CHECKED BY: J.ZAHURONES	
SCALE: NTS		APPROVED BY: D.STOKES		RECORD NO.:	
TITLE: Stiteline Clad Inswing Single Panel Patio Door		RECORD NO.:		REPORT NO.:	
DATE: 03/30/2023		DRAWN BY: J.HAWKINS		CHECKED BY: J.ZAHURONES	
SCALE: NTS		APPROVED BY: D.STOKES		RECORD NO.:	
TITLE: Stiteline Clad Inswing Single Panel Patio Door		RECORD NO.:		REPORT NO.:	
DATE: 03/30/2023		DRAWN BY: J.HAWKINS		CHECKED BY: J.ZAHURONES	
SCALE: NTS		APPROVED BY: D.STOKES		RECORD NO.:	
TITLE: Stiteline Clad Inswing Single Panel Patio Door		RECORD NO.:		REPORT NO.:	
DATE: 03/30/2023		DRAWN BY: J.HAWKINS		CHECKED BY: J.ZAHURONES	
SCALE: NTS		APPROVED BY: D.STOKES		RECORD NO.:	
TITLE: Stiteline Clad Inswing Single Panel Patio Door		RECORD NO.:		REPORT NO.:	
DATE: 03/30/2023		DRAWN BY: J.HAWKINS		CHECKED BY: J.ZAHURONES	
SCALE: NTS		APPROVED BY: D.STOKES		RECORD NO.:	
TITLE: Stiteline Clad Inswing Single Panel Patio Door		RECORD NO.:		REPORT NO.:	
DATE: 03/30/2023		DRAWN BY: J.HAWKINS		CHECKED BY: J.ZAHURONES	
SCALE: NTS		APPROVED BY: D.STOKES		RECORD NO.:	
TITLE: Stiteline Clad Inswing Single Panel Patio Door		RECORD NO.:		REPORT NO.:	
DATE: 03/30/2023		DRAWN BY: J.HAWKINS		CHECKED BY: J.ZAHURONES	
SCALE: NTS		APPROVED BY: D.STOKES		RECORD NO.:	
TITLE: Stiteline Clad Inswing Single Panel Patio Door		RECORD NO.:		REPORT NO.:	
DATE: 03/30/2023		DRAWN BY: J.HAWKINS		CHECKED BY: J.ZAHURONES	
SCALE: NTS		APPROVED BY: D.STOKES		RECORD NO.:	
TITLE: Stiteline Clad Inswing Single Panel Patio Door		RECORD NO.:		REPORT NO.:	
DATE: 03/30/2023		DRAWN BY: J.HAWKINS		CHECKED BY: J.ZAHURONES	
SCALE: NTS		APPROVED BY: D.STOKES		RECORD NO.:	
TITLE: Stiteline Clad Inswing Single Panel Patio Door		RECORD NO.:		REPORT NO.:	
DATE: 03/30/2023		DRAWN BY: J.HAWKINS		CHECKED BY: J.ZAHURONES	
SCALE: NTS		APPROVED BY: D.STOKES		RECORD NO.:	
TITLE: Stiteline Clad Inswing Single Panel Patio Door		RECORD NO.:		REPORT NO.:	
DATE: 03/30/2023		DRAWN BY: J.HAWKINS		CHECKED BY: J.ZAHURONES	
SCALE: NTS		APPROVED BY: D.STOKES		RECORD NO.:	
TITLE: Stiteline Clad Inswing Single Panel Patio Door		RECORD NO.:		REPORT NO.:	
DATE: 03/30/2023		DRAWN BY: J.HAWKINS		CHECKED BY: J.ZAHURONES	
SCALE: NTS		APPROVED BY: D.STOKES		RECORD NO.:	
TITLE: Stiteline Clad Inswing Single Panel Patio Door		RECORD NO.:		REPORT NO.:	
DATE: 03/30/2023		DRAWN BY: J.HAWKINS		CHECKED BY: J.ZAHURONES	
SCALE: NTS		APPROVED BY: D.STOKES		RECORD NO.:	
TITLE: Stiteline Clad Inswing Single Panel Patio Door		RECORD NO.:		REPORT NO.:	
DATE: 03/30/2023		DRAWN BY: J.HAWKINS		CHECKED BY: J.ZAHURONES	
SCALE: NTS		APPROVED BY: D.STOKES		RECORD NO.:	
TITLE: Stiteline Clad Inswing Single Panel Patio Door		RECORD NO.:		REPORT NO.:	
DATE: 03/30/2023		DRAWN BY: J.HAWKINS		CHECKED BY: J.ZAHURONES	
SCALE: NTS		APPROVED BY: D.STOKES		RECORD NO.:	
TITLE: Stiteline Clad Inswing Single Panel Patio Door		RECORD NO.:		REPORT NO.:	
DATE: 03/30/2023		DRAWN BY: J.HAWKINS		CHECKED BY: J.ZAHURONES	
SCALE: NTS		APPROVED BY: D.STOKES		RECORD NO.:	
TITLE: Stiteline Clad Inswing Single Panel Patio Door		RECORD NO.:		REPORT NO.:	
DATE: 03/30/2023		DRAWN BY: J.HAWKINS		CHECKED BY: J.ZAHURONES	
SCALE: NTS		APPROVED BY: D.STOKES		RECORD NO.:	
TITLE: Stiteline Clad Inswing Single Panel Patio Door		RECORD NO.:		REPORT NO.:	
DATE: 03/30/2023		DRAWN BY: J.HAWKINS		CHECKED BY: J.ZAHURONES	
SCALE: NTS		APPROVED BY: D.STOKES		RECORD NO.:	
TITLE: Stiteline Clad Inswing Single Panel Patio Door		RECORD NO.:		REPORT NO.:	
DATE: 03/30/2023		DRAWN BY: J.HAWKINS		CHECKED BY: J.ZAHURONES	
SCALE: NTS		APPROVED BY: D.STOKES		RECORD NO.:	
TITLE: Stiteline Clad Inswing Single Panel Patio Door		RECORD NO.:		REPORT NO.:	
DATE: 03/30/2023		DRAWN BY: J.HAWKINS		CHECKED BY: J.ZAHURONES	
SCALE: NTS		APPROVED BY: D.STOKES		RECORD NO.:	
TITLE: Stiteline Clad Inswing Single Panel Patio Door		RECORD NO.:		REPORT NO.:	
DATE: 03/30/2023		DRAWN BY: J.HAWKINS		CHECKED BY: J.ZAHURONES	
SCALE: NTS		APPROVED BY: D.STOKES		RECORD NO.:	
TITLE: Stiteline Clad Inswing Single Panel Patio Door		RECORD NO.:		REPORT NO.:	
DATE: 03/30/2023		DRAWN BY: J.HAWKINS		CHECKED BY: J.ZAHURONES	
SCALE: NTS		APPROVED BY: D.STOKES		RECORD NO.:	
TITLE: Stiteline Clad Inswing Single Panel Patio Door		RECORD NO.:		REPORT NO.:	
DATE: 03/30/2023		DRAWN BY: J.HAWKINS		CHECKED BY: J.ZAHURONES	
SCALE: NTS		APPROVED BY: D.STOKES		RECORD NO.:	
TITLE: Stiteline Clad Inswing Single Panel Patio Door		RECORD NO.:		REPORT NO.:	
DATE: 03/30/2023		DRAWN BY: J.HAWKINS		CHECKED BY: J.ZAHURONES	
SCALE: NTS		APPROVED BY: D.STOKES		RECORD NO.:	
TITLE: Stiteline Clad Inswing Single Panel Patio Door		RECORD NO.:		REPORT NO.:	
DATE: 03/30/2023		DRAWN BY: J.HAWKINS		CHECKED BY: J.ZAHURONES	
SCALE: NTS		APPROVED BY: D.STOKES		RECORD NO.:	
TITLE: Stiteline Clad Inswing Single Panel Patio Door		RECORD NO.:		REPORT NO.:	
DATE: 03/30/2023		DRAWN BY: J.HAWKINS		CHECKED BY: J.ZAHURONES	
SCALE: NTS		APPROVED BY: D.STOKES		RECORD NO.:	
TITLE: Stiteline Clad Inswing Single Panel Patio Door		RECORD NO.:		REPORT NO.:	